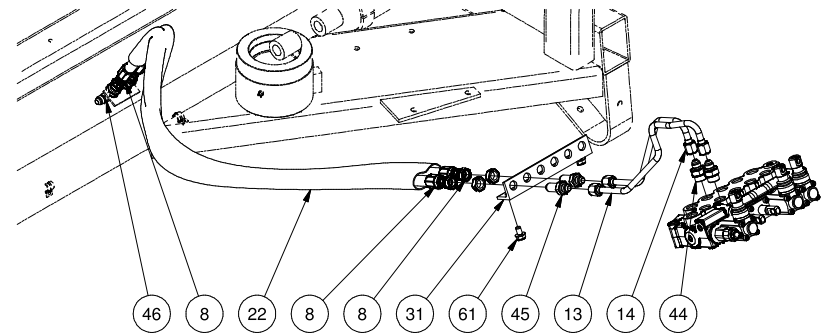
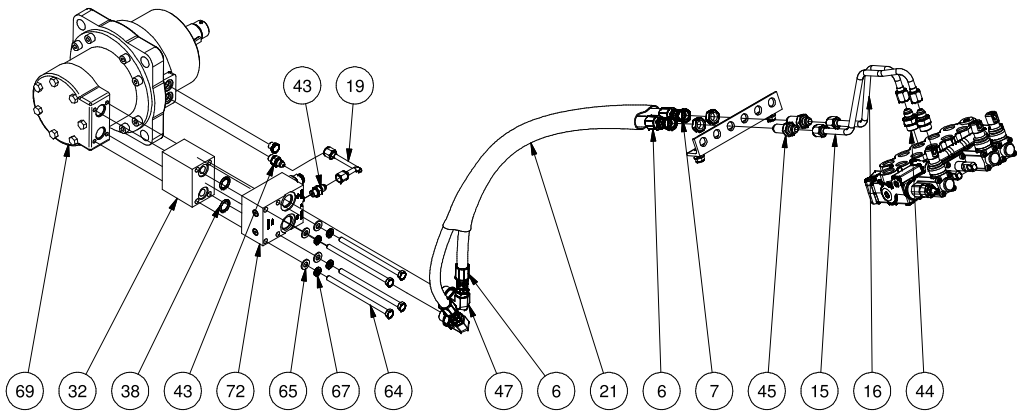


Detail A
Main Power System

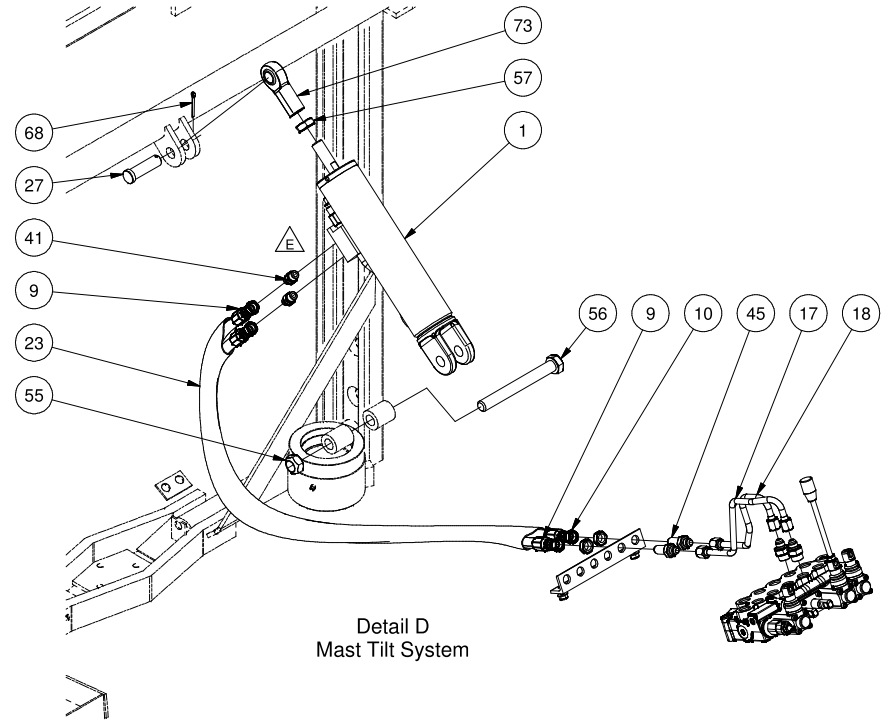


Detail B
Mast Lift System

DRAWN Derek Sevier			
APPROVED & DATE			
PAPER SIZE	PART DESCRIPTION	PART NUMBER	
B	Hydraulic System with Reach and Winch, Burro	<input type="text"/>	
TOLERANCES .X= ± 0.060 .XX= ± 0.030 .XXX= ± 0.010	DATE: 5/12/2011	SCALE: None	SHEET 2 OF 4

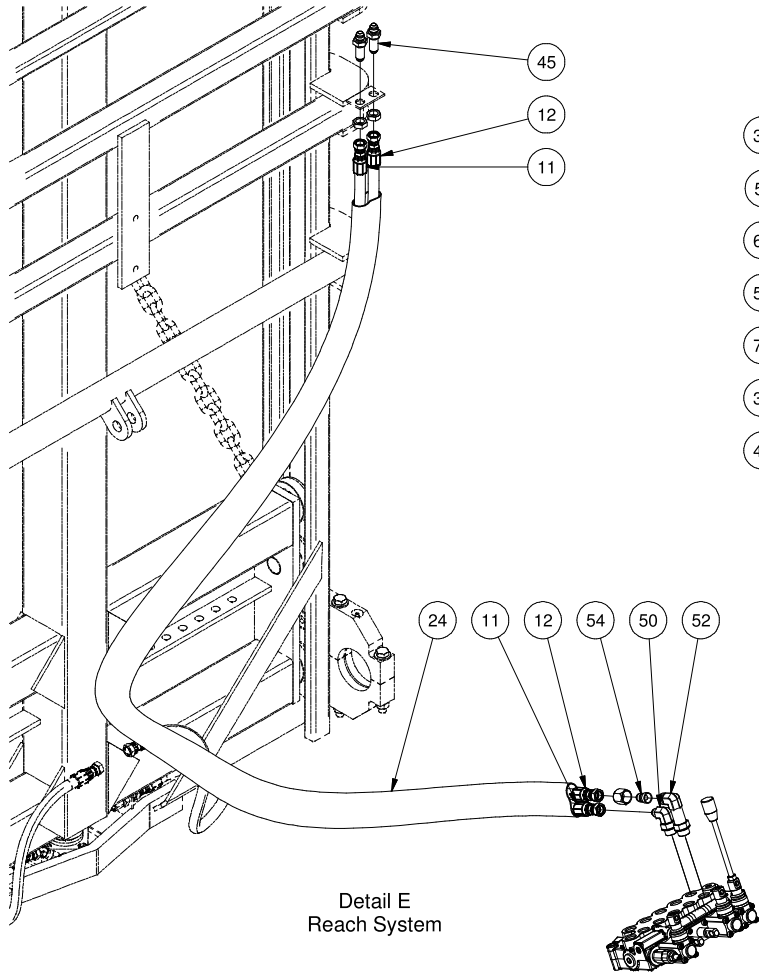


Detail C
Drive System

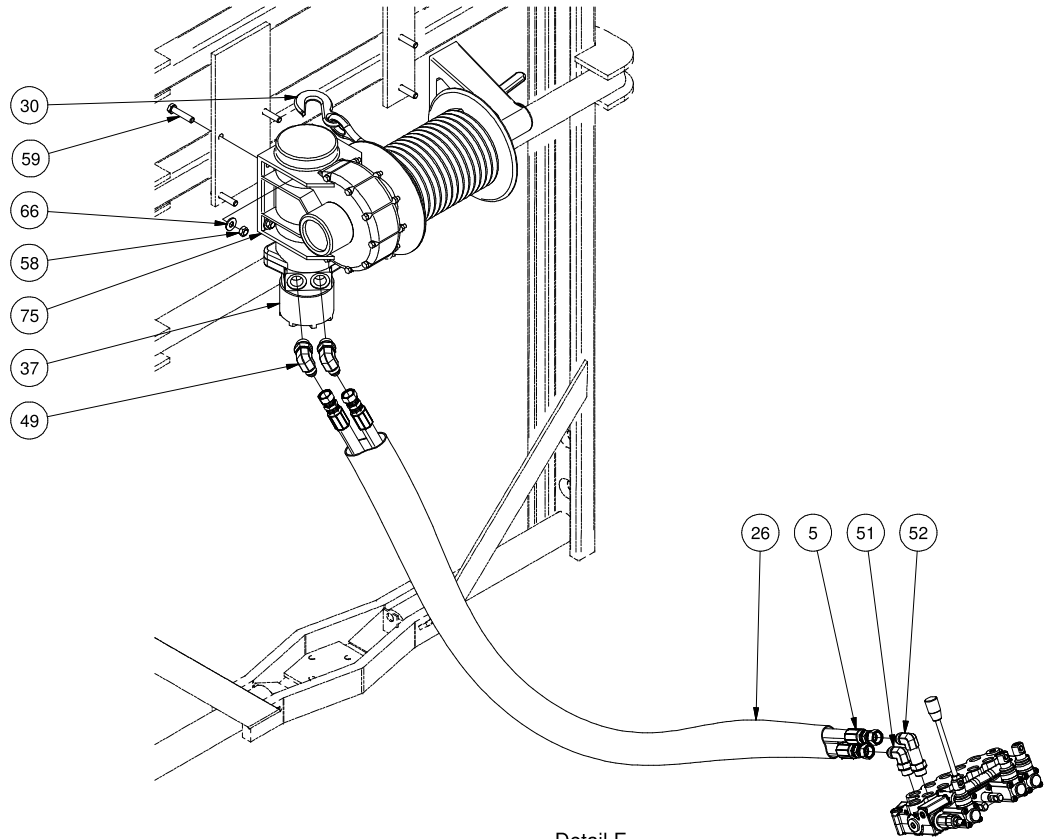


Detail D
Mast Tilt System

DRAWN Derek Sevier			
APPROVED & DATE			
PAPER SIZE	PART DESCRIPTION	PART NUMBER	
B	Hydraulic System with Reach and Winch, Burro	<input type="text"/>	
TOLERANCES			
.X= ± 0.060			
.XX= ± 0.030			
.XXX= ± 0.010			
DATE: 5/12/2011	SCALE: None	SHEET: 3	OF: 4



Detail E
Reach System



Detail F
Winch System

DRAWN Derek Sevier APPROVED & DATE			
PAPER SIZE B	PART DESCRIPTION Hydraulic System with Reach and Winch, Burro	PART NUMBER <input type="text"/>	
TOLERANCES .X= ± 0.060 .XX= ± 0.030 .XXX= ± 0.010		DATE: 5/12/2011	SCALE None SHEET 4 OF 4